

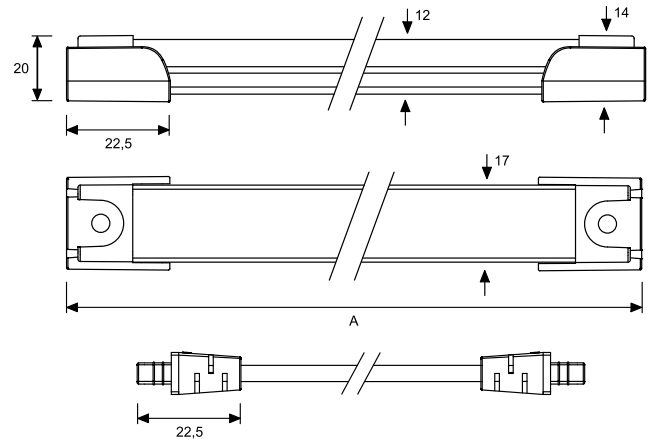
INSTALLATION GUIDE

2C1M CCT 24V BAR

Exclusive document for product installation and assembly



3. DIMENSIONS (mm)



SIZE	A
10	148
17	223
25	298
30	373
40	448
47	523
55	598
60	673
70	748
80	823
85	898
90	973
100	1048
105	1123
115	1198
120	1273

SIZE	A
130	1348
140	1423
145	1498
150	1573
160	1648
170	1723
175	1798
180	1873
190	1948
195	2023
200	2098
210	2173
220	2248
225	2323
230	2398
240	2473

1. SAFETY PRECAUTIONS



CAUTION

The equipment must be installed by a certificated technician.

The electrical installation must respect the technical rules.

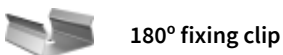
Install only indoors.

Switch off the electrical power before making any connection.

Respect the indicated voltage and installation procedure.

End-of-life: Don't discard as unsorted waste. Send to a WEEE (Waste, Disused Electrical and Electronic Equipment) collection point.

2. ACCESSORIES



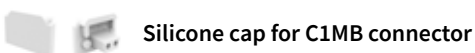
180° fixing clip



C1F cable



C1F interconnection cable *
* for installations with more than one bar

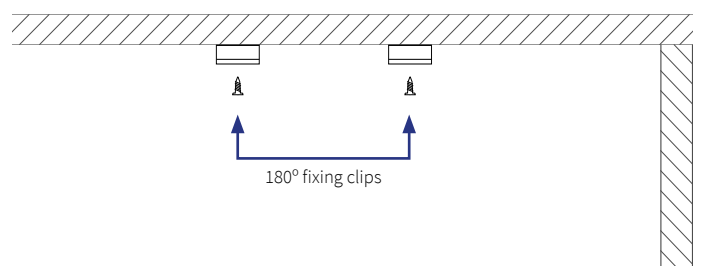


Silicone cap for C1MB connector

4. INSTALLATION PROCEDURE

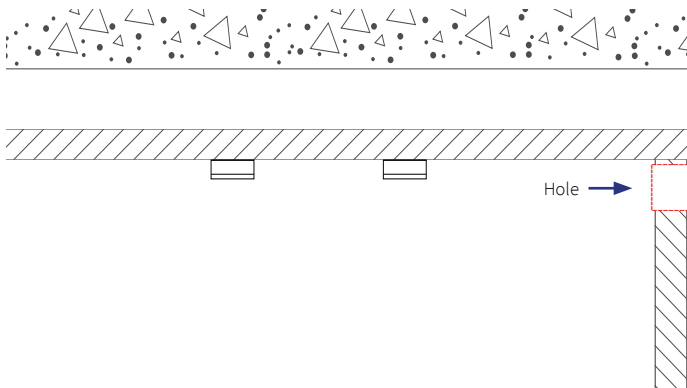
4.1 INSTALL FIXING CLIPS

Fix the 180° fixing clips to the ceiling or chosen surface.
Maximum distance between fixing clips: 60 cm.



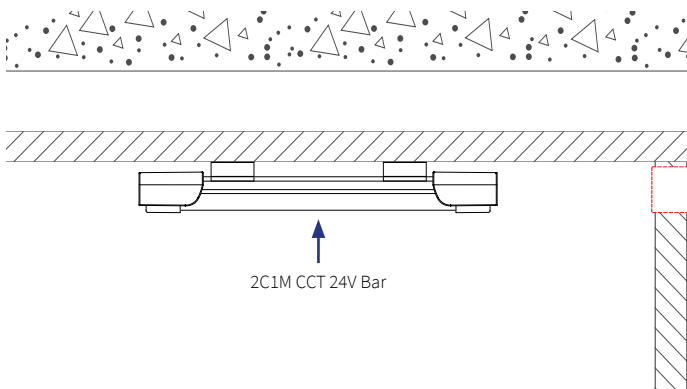
4.2 HOLE FOR POWER CABLE

Make a hole for the power cable to pass through.



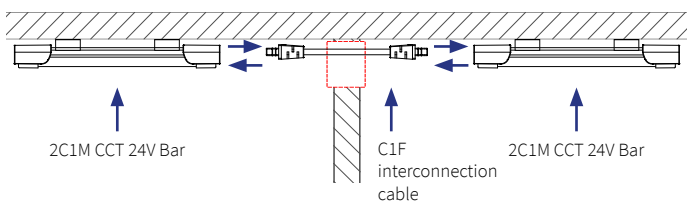
4.3 FIX THE BAR TO THE CLIPS

Attach the bar to the fixing clips.



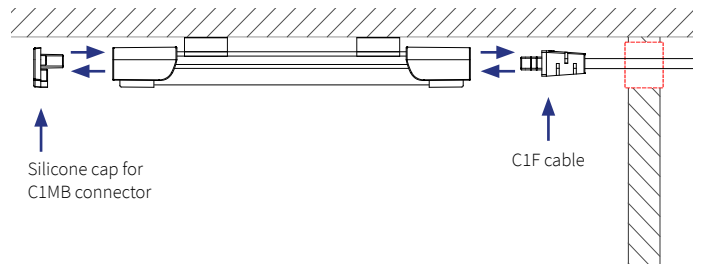
4.4 BAR INTERCONNECTION (OPTIONAL)

In installations with two or more bars, it is possible to interconnect them through the interconnection cable. Maximum length: 6 m of linear bars.



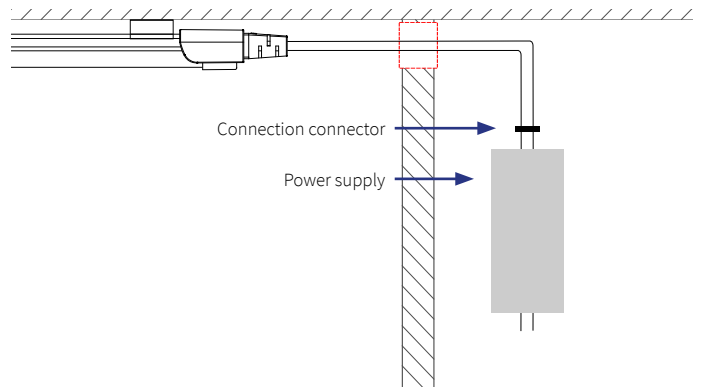
4.5 CONNECT THE POWER CABLE AND INSTALL THE SILICONE CAP

Placing the silicone cap on the C1MB connector at the end of the bar. Maximum distance from power supply to the bar: 2.5 m.



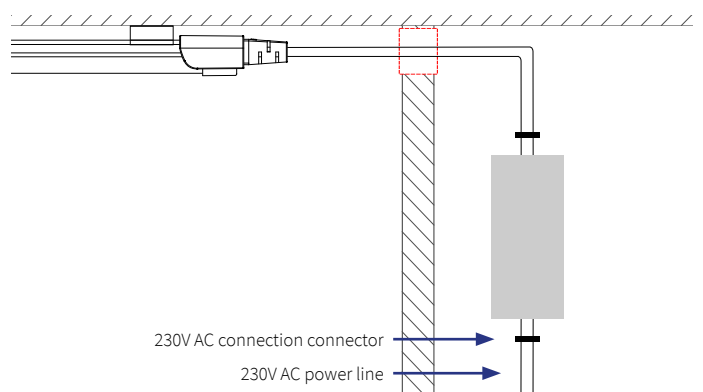
4.6 CONNECT THE CABLE TO THE POWER SUPPLY

The connection connector must meet the appropriate electrical requirements for the intended purpose.



4.7 CONNECT POWER SUPPLY TO ELECTRICAL NETWORK

The connection connector must meet the appropriate electrical requirements for the intended purpose.



Power Supply

Use a constant voltage power supply for LED modules, 24V DC output, insulation class 2, SELV, certified according to EN61347 standards for Europe and UL8750 for USA.

INSTALLATION GUIDE

C1MB CCT 24V BAR

Exclusive document for product installation and assembly



1. SAFETY PRECAUTIONS



CAUTION

The equipment must be installed by a certificated technician.

The electrical installation must respect the technical rules.

Install only indoors.

Switch off the electrical power before making any connection.

Respect the indicated voltage and installation procedure.

End-of-life: Don't discard as unsorted waste. Send to a WEEE (Waste, Disused Electrical and Electronic Equipment) collection point.

2. ACCESSORIES

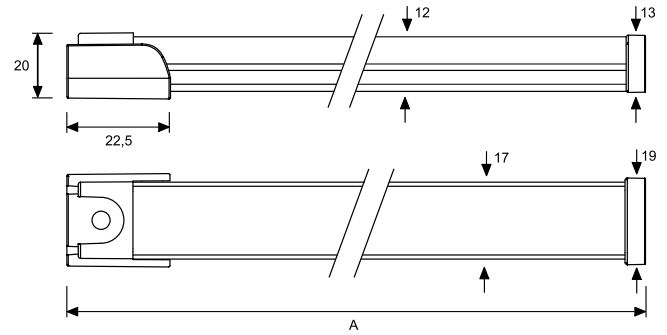


180° fixing clip



C1F cable

3. DIMENSIONS (mm)



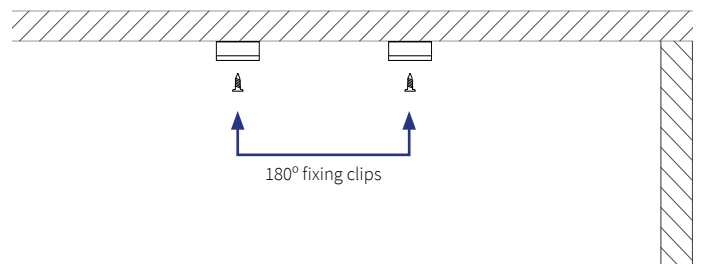
SIZE	A
10	134
17	209
25	284
30	359
40	434
47	509
55	584
60	659
70	734
80	809
85	884
90	959
100	1034
105	1109
115	1184
120	1259

SIZE	A
130	1334
140	1409
145	1484
150	1559
160	1634
170	1709
175	1784
180	1859
190	1934
195	2009
200	2084
210	2159
220	2234
225	2309
230	2384
240	2459

4. INSTALLATION PROCEDURE

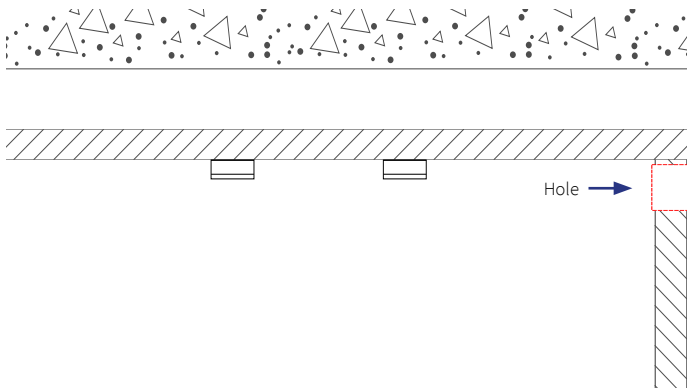
4.1 INSTALL FIXING CLIPS

Fix the 180° fixing clips to the ceiling or chosen surface.
Maximum distance between fixing clips: 60 cm.



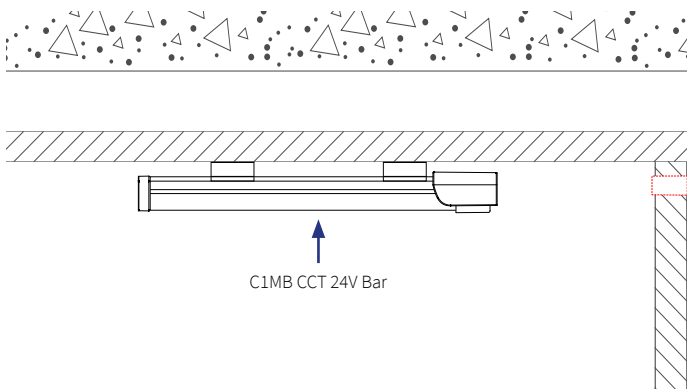
4.2 HOLE FOR POWER CABLE

Make a hole for the power cable to pass through.



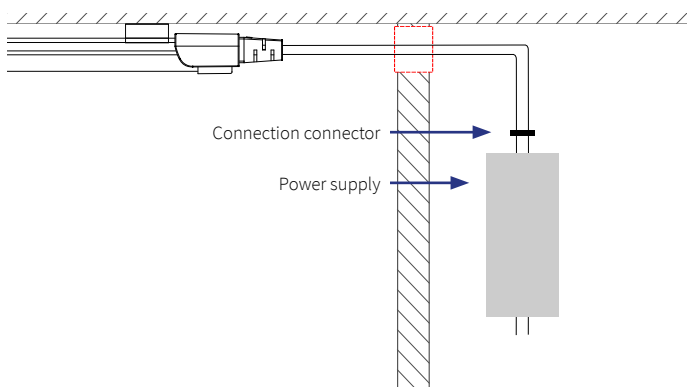
4.3 FIX THE BAR TO THE CLIPS

Attach the bar to the fixing clips.



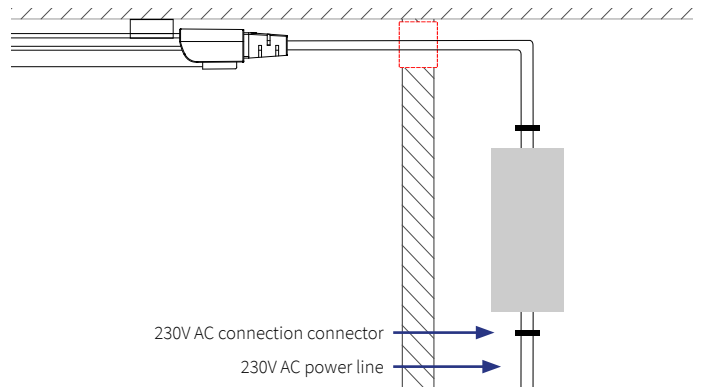
4.4 CONNECT THE CABLE TO THE POWER SUPPLY

The connection connector must meet the appropriate electrical requirements for the intended purpose.



4.5 CONNECT POWER SUPPLY TO ELECTRICAL NETWORK

The connection connector must meet the appropriate electrical requirements for the intended purpose.



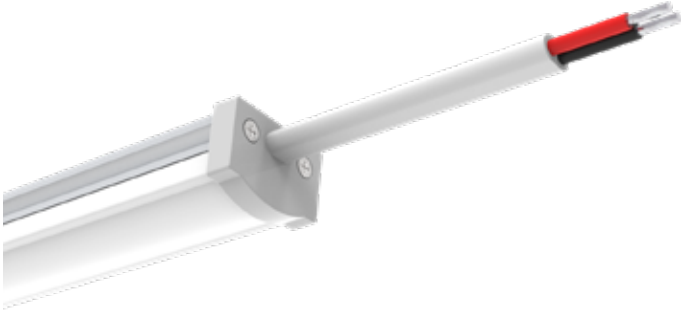
Power Supply

Use a constant voltage power supply for LED modules, 24V DC output, insulation class 2, SELV, certified according to EN61347 standards for Europe and UL8750 for USA.

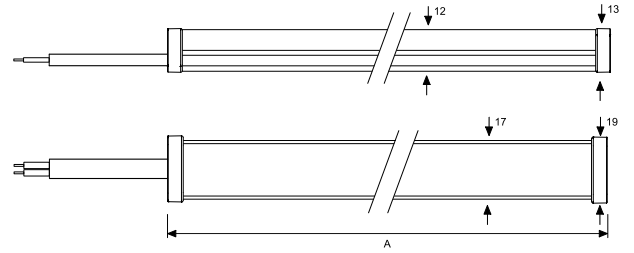
INSTALLATION GUIDE

TOP ENTRY CABLE CCT 24V BAR

Exclusive document for product installation and assembly



3. DIMENSIONS (mm)



SIZE	A
10	116
17	191
25	266
30	341
40	416
47	491
55	566
60	641
70	716
80	791
85	866
90	941
100	1016
105	1091
115	1166
120	1241

SIZE	A
130	1316
140	1391
145	1466
150	1541
160	1616
170	1691
175	1766
180	1841
190	1916
195	1991
200	2066
210	2141
220	2216
225	2291
230	2366
240	2441

1. SAFETY PRECAUTIONS



CAUTION

The equipment must be installed by a certificated technician.

The electrical installation must respect the technical rules.

Install only indoors.

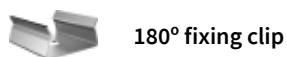
Switch off the electrical power before making any connection.

Respect the indicated voltage and installation procedure.

The installer must use a connector that respects the IP64 index.

End-of-life: Don't discard as unsorted waste. Send to a WEEE (Waste, Disused Electrical and Electronic Equipment) collection point.

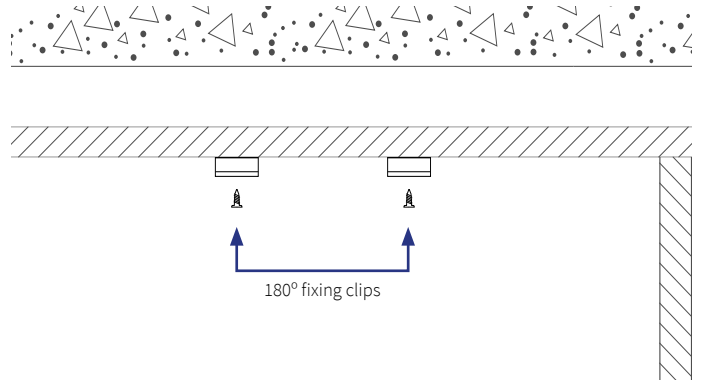
2. ACCESSORIES



4. INSTALLATION PROCEDURE

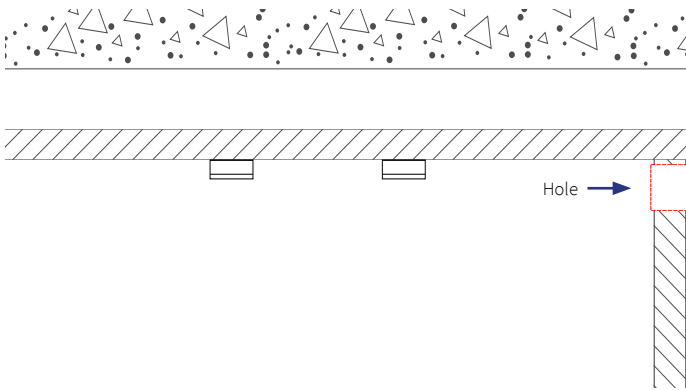
4.1 INSTALL FIXING CLIPS

Fix the 180° fixing clips to the ceiling or chosen surface.
Maximum distance between fixing clips: 60 cm.



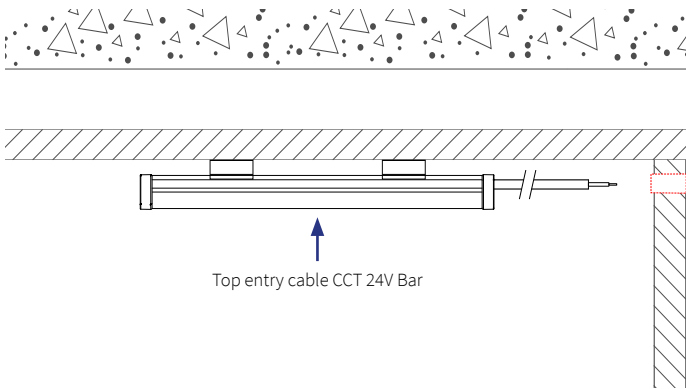
4.2 HOLE FOR POWER CABLE

Make a hole for the power cable to pass through.



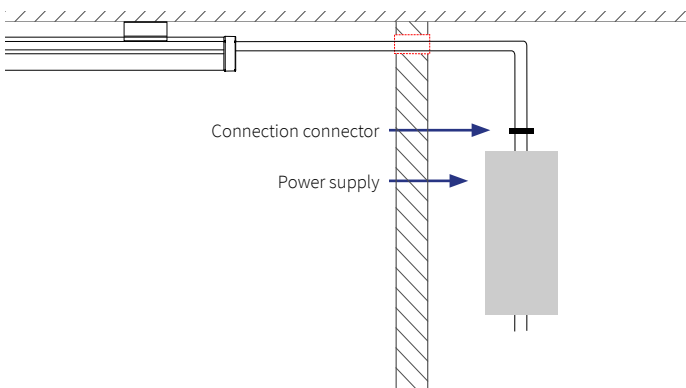
4.3 FIX THE BAR TO THE CLIPS

Attach the bar to the fixing clips.



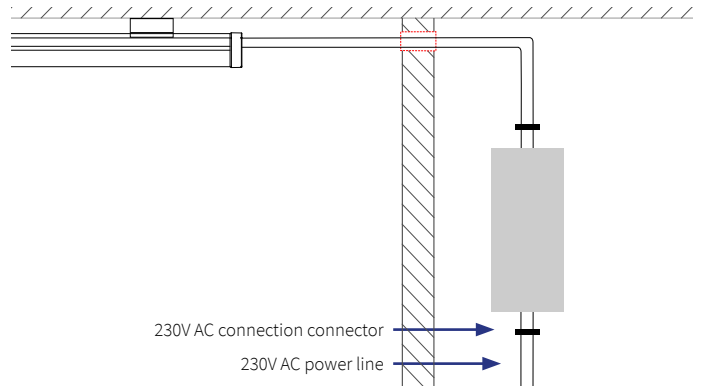
4.4 CONNECT THE CABLE TO THE POWER SUPPLY

The connection connector must meet the appropriate electrical requirements for the intended purpose.



4.5 CONNECT POWER SUPPLY TO ELECTRICAL NETWORK

The connection connector must meet the appropriate electrical requirements for the intended purpose.



Power Supply

Use a constant voltage power supply for LED modules, 24V DC output, insulation class 2, SELV, certified according to EN61347 standards for Europe and UL8750 for USA.

5. GENERAL INFORMATION



CE marking

Product in accordance with the Council directive 2004/108/CE concerning the Electromagnetic Compatibility and the Council directive 2006/95/CE for low-tension equipment.



UE 2011/65/EU

Product complies with the directive that restricts the use of hazardous substances in electrical and electronic equipment.



Test procedure for LED that aims to determine the depreciation of the luminous flux over time.



The product must not be disposed of as unsorted waste, it must be sent to separate collection facilities for recovery and recycling.



Equipment suitable for indoor use.



Equipment suitable for outdoor use.



24V Direct current



Alternating current



Safety Extra-Low Voltage. The circuit is designed and protected that, during proper operation or in the event of a single fault, voltages do not exceed values considered safe.

Appliance classes

Protection against electric shock due to physical contact with the electrical part of the equipment.



Class I

The equipment must be connected to earth through a protective conductor (PE), usually coloured green or green and yellow.



Class II

The equipment has double insulation, eliminating the necessity of the protective conductor (PE).



Class III

The equipment uses a reduced voltage level and there is no risk of electric shock under normal conditions.

IP Code

Assesses the degree of protection against intrusion, dust, accidental contact and water according to IEC 60529.



The IP code consists of 2 digits, the first relating to solid particles and the second to the presence of water.

IP0X Not protected

IP1X Solids \geq 50 mm diameter

IP2X Solids \geq 12,5 mm diameter

IP3X Solids \geq 2,5 mm diameter

IP4X Solids \geq 1 mm diameter

IP5X Dust

IP6X Dust proof

IPX0 Not protected

IPX1 Dripping water

IPX2 Dripping water when tilted up to 15°

IPX3 Water spray

IPX4 Water splash

IPX5 Water jets

IPX6 Powerful water jets

IPX7 Immersion up to 1m for 30min

IPX8 Continuous immersion in water